

CW

Self Priming Centrifugal Pump

Basic Pump

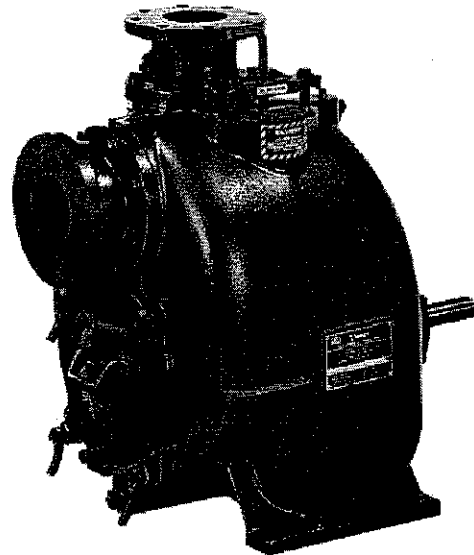
Model T4A60S-B

Size 4" x 4"



PUMP SPECIFICATIONS

- Size:** 4" x 4" (101 mm x 101 mm) NPT - Female.
- Pump Casing:** Gray Iron No. 30. Maximum Operating Pressure 86 psi (593 kPa).*
- Open Type, Two Vane Impeller:** Ductile Iron No. 65-45-12. Handles 3" (76,2 mm) Diameter Spherical Solids.
- Impeller Shaft:** Alloy Steel No. 4140.
- Replaceable Wear Plate:** Carbon Steel No. 1015.
- Removable Adjustable Cover Plate:** Gray Iron No. 30; 37 lbs. (17 kg).
- Flap Valve:** Neoprene w/Steel Reinforcing.
- Bearing Housing:** Gray Iron No. 30.
- Seal Plate:** Gray Iron No. 30.
- Shaft Sleeve:** Alloy Steel No. 4130.
- Radial Bearing:** Open Single Ball.
- Thrust Bearing:** Open Double Ball.
- Bearing and Seal Cavity Lubrication:** SAE No. 30 Non-Detergent Oil.
- Flanges:** 125# Gray Iron No. 30.
- Gaskets:** Buna-N, Compressed Synthetic Fibers, Vegetable Fiber, PTFE, Cork, and Rubber.
- O-Rings:** Buna-N.
- Hardware:** Standard Plated Steel.
- Brass Pressure Relief Valve.**
- Bearing and Seal Cavity Oil Level Sight Gauges.**
- Optional Equipment:** Metal Bellows Seal. Automatic Air Release Valve. G-R Hard Iron Impeller, Seal Plate, and Wear Plate. 120V/240V Casing Heater. High Pump Temperature Shutdown Kit. Gray Iron No. 30 Suction and Discharge Spool Flanges; 4" ASA (Specify Model T4A60S-B /F). 100 mm DIN 2527 (Specify Model T4A60S-B /FM).

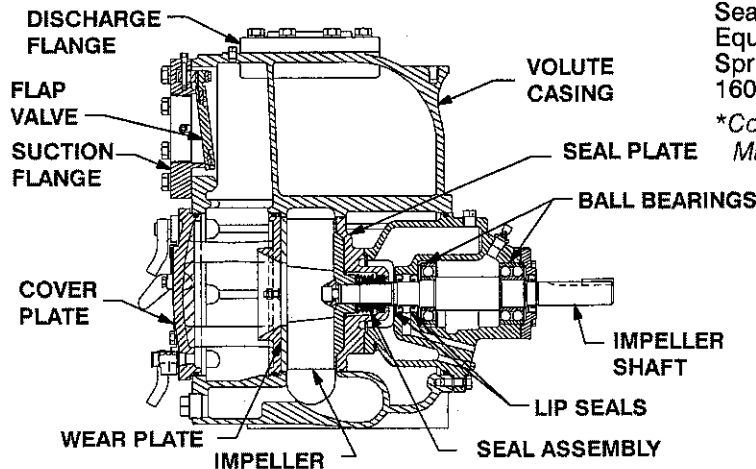


Shown with Optional Suction & Discharge Spool Flanges (Available in ASA or DIN Standard Sizes).

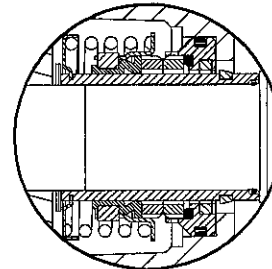
SEAL SPECIFICATIONS

Cartridge Type, Mechanical, Oil-Lubricated, Double Floating, Self-Aligning. Silicon Carbide Rotating and Stationary Faces. Stainless Steel No. 316 Stationary Seat. Fluorocarbon Elastomers (DuPont Viton® or Equivalent). Stainless Steel No. 18-8 Cage and Spring. Maximum Temperature of Liquid Pumped, 160°F (71°C).*

*Consult Factory for Applications Exceeding Maximum Pressure and/or Temperature Indicated.



SEAL DETAIL



THE GORMAN-RUPP COMPANY • MANSFIELD, OHIO

GORMAN-RUPP OF CANADA LIMITED • ST. THOMAS, ONTARIO, CANADA

www.gormanrupp.com

Specifications Subject to Change Without Notice

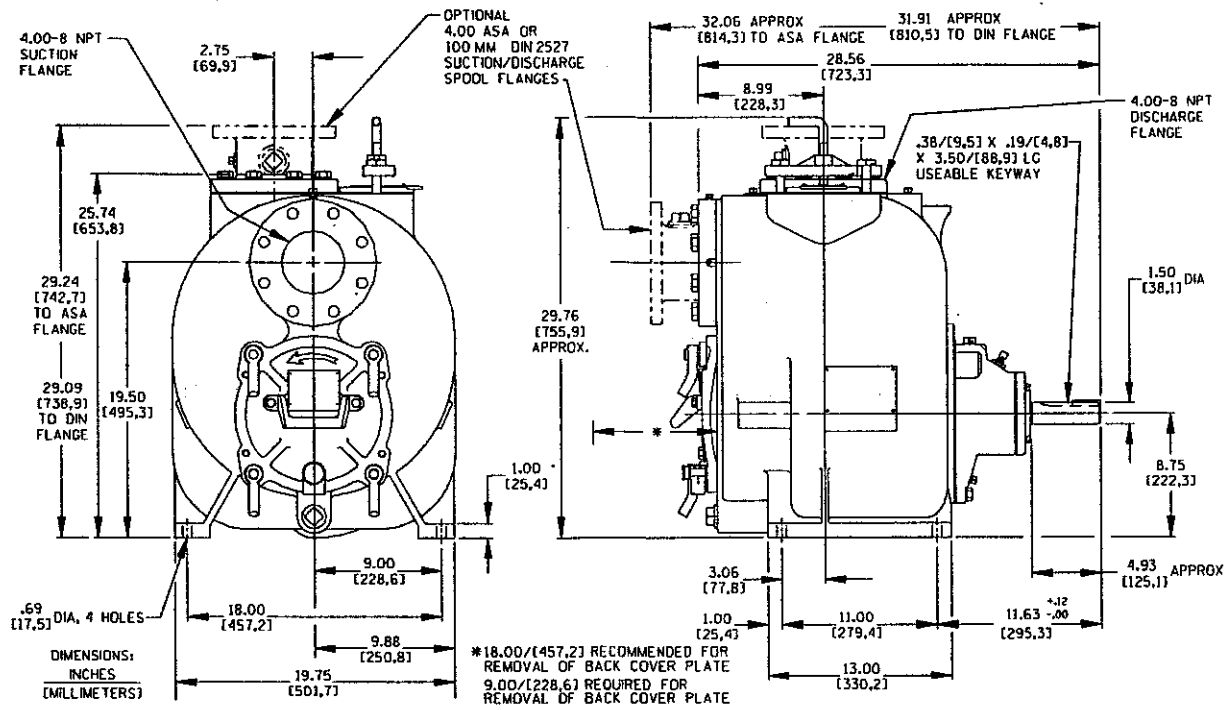
Printed in U.S.A.

Specification Data

SECTION 55, PAGE 2110

APPROXIMATE DIMENSIONS and WEIGHTS

NET WEIGHT: 575 LBS. (261 KG.)*
SHIPPING WEIGHT: 614 LBS. (279 KG.)*
EXPORT CRATE: 22.7 CU. FT. (0,6 CU. M.)
***ADD 15 LBS. (6,8 KG.) W/EACH SPOOL FLANGE**



OPTIONAL ASA OR DIN STANDARD SUCTION & DISCHARGE SPOOL FLANGES AVAILABLE



THE GORMAN-RUPP COMPANY • MANSFIELD, OHIO

GORMAN-RUPP OF CANADA LIMITED • ST. THOMAS, ONTARIO, CANADA

Specifications Subject to Change Without Notice

Printed in U.S.A.

CDSW

PERFORMANCE CURVE

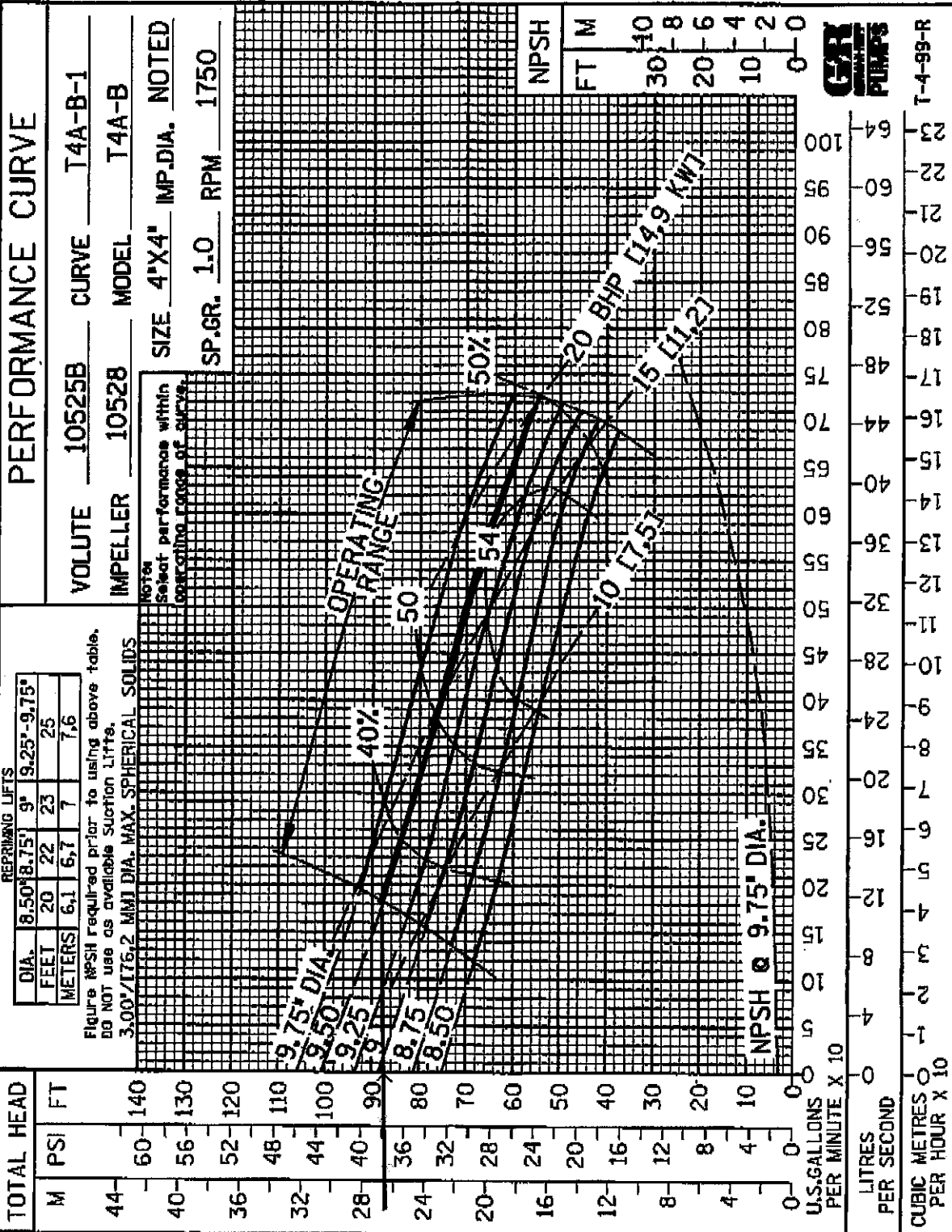
VOLUTE 10525B CURVE T4A-B-1
 IMPELLER 10528 MODEL T4A-B
 SIZE 4"X4" IMP.DIA. NOTED
 SP.GR. 1.0 RPM 1750

REPRIMING LIFTS

DIA.	8.50" (8.75)	9"	9.25"-9.75"
FEET	20	22	23
METERS	6.1	6.7	7

Figure NPSH required prior to using above table.
 DO NOT use as available Suction Lifts.
 3.00"/176.2 MMJ DIA. MAX. SPHERICAL SOLIDS

NOTE
 Select performance within
 operating range of curve.



T-4-99-R



THE GORMAN-RUPP COMPANY • MANSFIELD, OHIO

GORMAN-RUPP OF CANADA LIMITED • ST. THOMAS, ONTARIO, CANADA

Specifications Subject to Change Without Notice

Printed in U.S.A.