

cw

Self Priming Centrifugal Pump

Super
T SERIES

Basic Pump

Model T3A60S-B

Size 3" x 3"

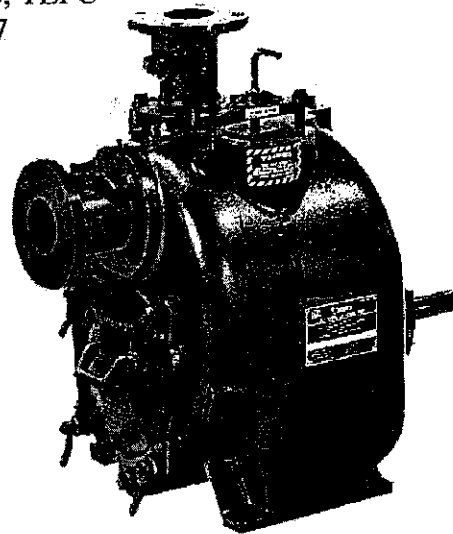


PUMP SPECIFICATIONS

20hp, 1750rpm, 460v, 3p, TEFC

Full load amps: 27

- Size: 3" x 3" (76 mm x 76 mm) NPT - Female.
- Pump Casing: Gray Iron No. 30. Maximum Operating Pressure 87 psi (600 kPa).*
- Open Type, Two Vane Impeller: Ductile Iron No. 65-45-12. Handles 2 1/2" (63,5 mm) Diameter Spherical Solids.
- Impeller Shaft: Alloy Steel No. 4140.
- Replaceable Wear Plate: Carbon Steel No. 1015.
- Removable Adjustable Cover Plate: Gray Iron No. 30; 30 lbs. (14 kg).
- Flap Valve: Neoprene w/Steel Reinforcing.
- Bearing Housing: Gray Iron No. 30.
- Seal Plate: Gray Iron No. 30.
- Shaft Sleeve: Alloy Steel No. 4130.
- Radial/Thrust Bearings: Open Single Ball.
- Bearing and Seal Cavity Lubrication: SAE No. 30 Non-Detergent Oil.
- Flanges: 125# Gray Iron No. 30.
- Gaskets: Buna-N, Compressed Synthetic Fibers, Vegetable Fiber, PTFE, Cork and Rubber.
- O-Rings: Buna-N.
- Hardware: Standard Plated Steel.
- Brass Pressure Relief Valve.
- Bearing and Seal Cavity Oil Level Sight Gauges.
- Optional Equipment:** Automatic Air Release Valve. Metal Bellows Seal. 120V/240V Casing Heater. High Pump Temperature Shutdown Kit. Gray Iron No. 30 Suction and Discharge Spool Flanges;
- 3" ASA (Specify Model T3A60S-B /F).
- 80 mm DIN 2527 (Specify Model T3A60S-B /FM).

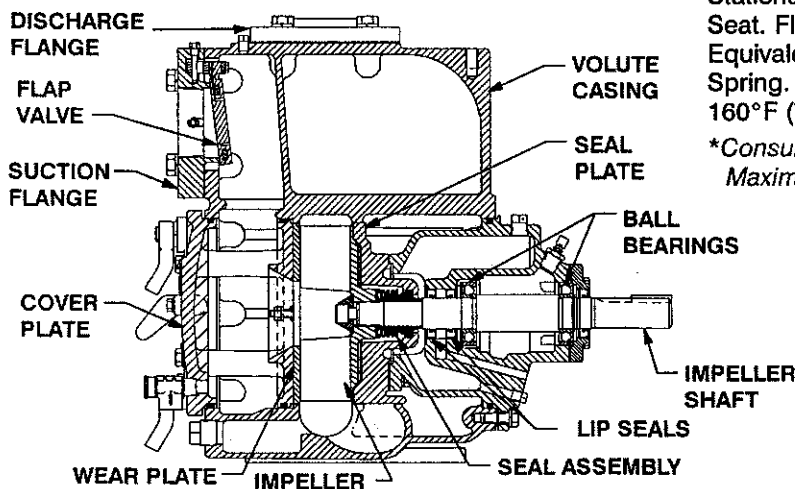


Shown with Optional Suction & Discharge Spool Flanges (Available in ASA or DIN Standard Sizes).

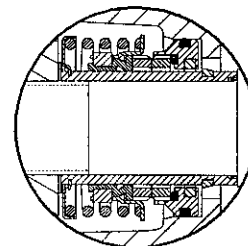
SEAL SPECIFICATIONS

Cartridge Type, Mechanical, Oil-Lubricated, Double Floating, Self-Aligning. Silicon Carbide Rotating and Stationary Faces. Stainless Steel No. 316 Stationary Seat. Fluorocarbon Elastomers (DuPont Viton® or Equivalent). Stainless Steel No. 18-8 Cage and Spring. Maximum Temperature of Liquid Pumped, 160°F (71°C).*

*Consult Factory for Applications Exceeding Maximum Pressure and/or Temperature Indicated.



SEAL DETAIL



THE GORMAN-RUPP COMPANY • MANSFIELD, OHIO

GORMAN-RUPP OF CANADA LIMITED • ST. THOMAS, ONTARIO, CANADA

www.gormanrupp.com

Specifications Subject to Change Without Notice

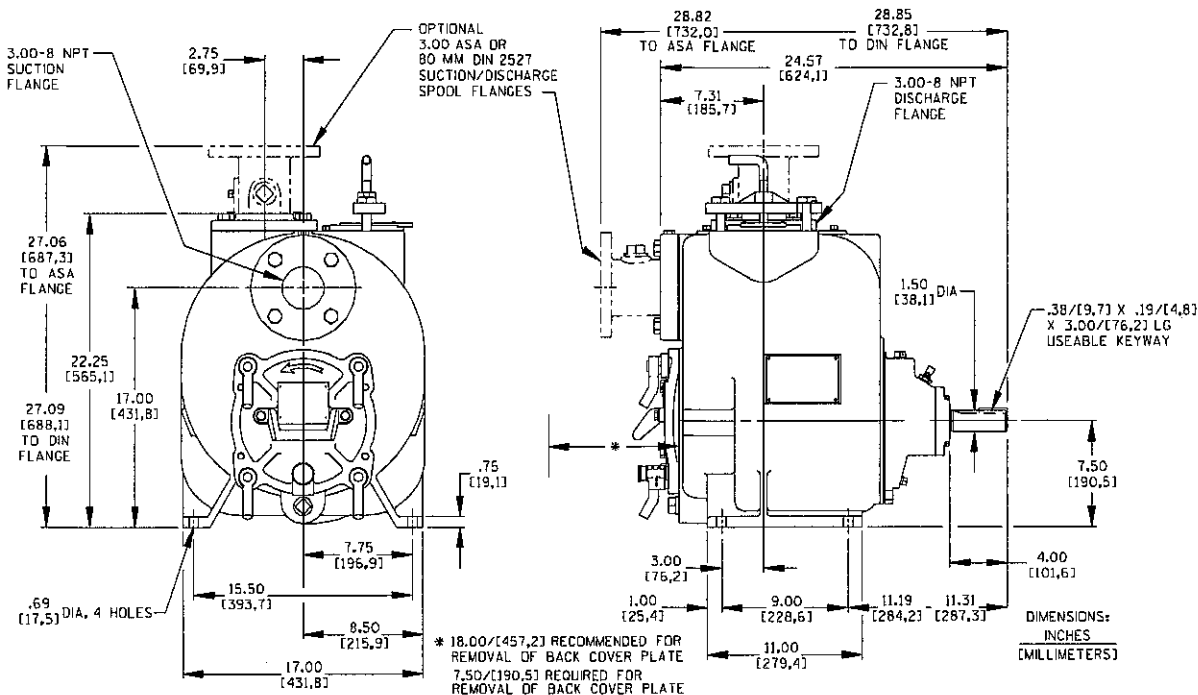
Printed in U.S.A.

Specification Data

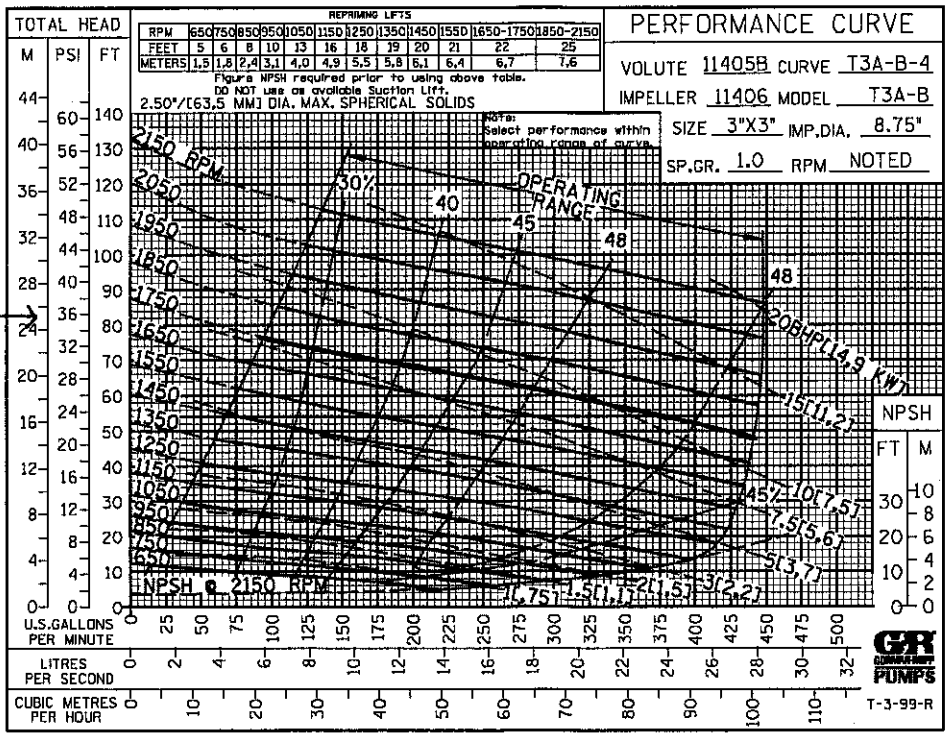
SECTION 55, PAGE 2010

APPROXIMATE DIMENSIONS and WEIGHTS

NET WEIGHT: 404 LBS. (183 KG.)*
SHIPPING WEIGHT: 452 LBS. (205 KG.)*
EXPORT CRATE: 14.1 CU. FT. (0,4 CU. M.)
***ADD 15 LBS. (6,8 KG.) W/EACH SPOOL FLANGE**



OPTIONAL ASA OR DIN STANDARD SUCTION & DISCHARGE SPOOL FLANGES AVAILABLE



THE GORMAN-RUPP COMPANY • MANSFIELD, OHIO
 GORMAN-RUPP OF CANADA LIMITED • ST. THOMAS, ONTARIO, CANADA

Specifications Subject to Change Without Notice

Printed in U.S.A.