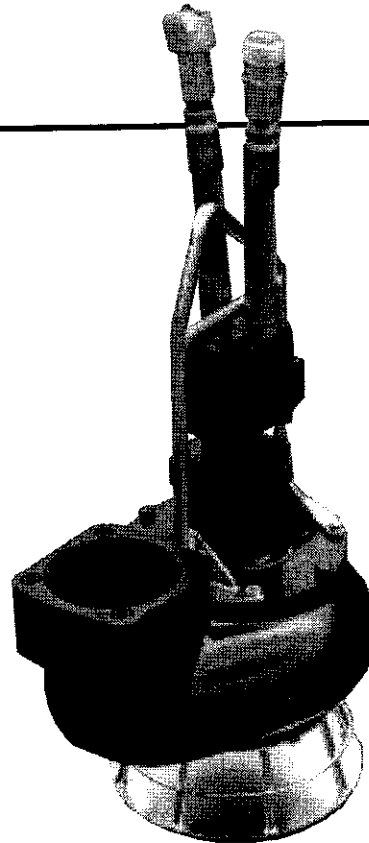


6" HYDRAULIC SUBMERSIBLE TRASH PUMP

MODEL S6TC
6" (150 mm) Discharge

The S6TC is a 6" discharge trash pump designed specifically to easily pass through a 22" manhole. The S6TC is offered in your choice of two motor displacements to cover a wide range of hydraulic input flows. This pump is the most versatile 6" solids handler in our line.



FEATURES

- High Efficiency 2 Vane Closed Channel Impeller (will Pass 3" (75 mm) Semi-Solids)
- Compact (Will Fit Through a 21" Opening)
- Oil Lubricated Seals (Can Run Dry)
- Variable Speed Hydraulic Drive
- Adjustable Wear Ring
- Can Be Bolted Directly Inline or Staged
- Safe Hydraulic Drive Can Be Used Where Electric Power is Hazardous or Impractical
- Dependable Gear Type Hydraulic Motor
- Operates With Our HT35 to HT60 Power Units or Other Hydraulic Power Sources with hydraulic flows up to 28 GPM

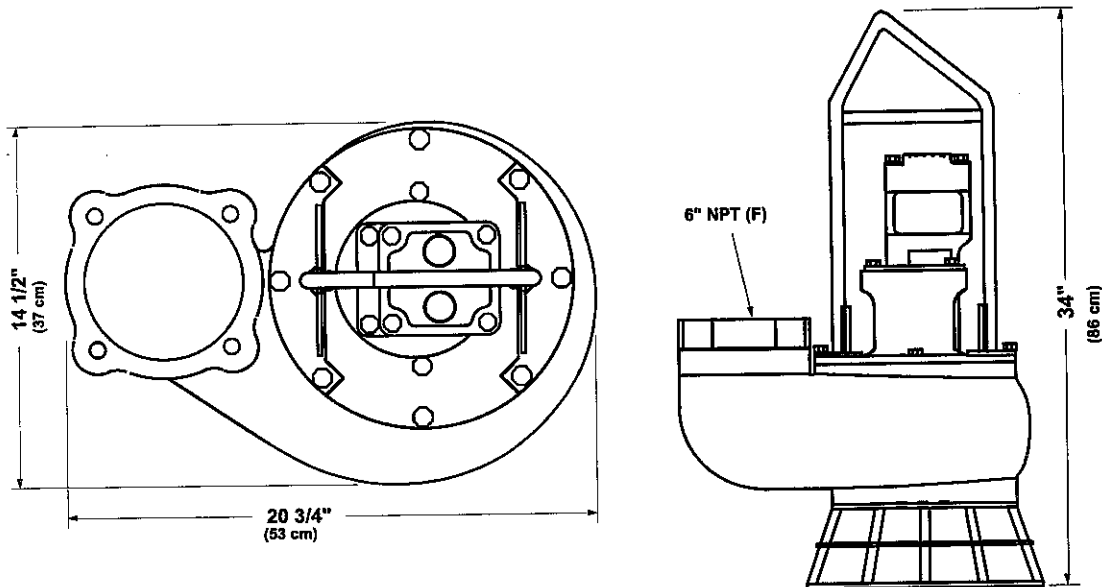
SPECIFICATIONS

WEIGHT:.....	255 lbs. (116kg)
HEIGHT:.....	34" (86 cm)
DIAMETER (@ widest point):.....	20-3/4" (53 cm)
DISCHARGE:.....	6" NPT(F)
INLET FLANGE:.....	6" 125# ANSI
SOLIDS HANDLING:.....	3" (75 mm)
HOSE PORTS:.....	1" S.A.E. Straight Thread
PUMP BODY:.....	Ductile Iron
IMPELLER:.....	Ductile Iron
WEAR RING.....	Ductile Iron
SHAFT:.....	17-4 PH Stainless Steel
SHAFT SEAL:.....	Carbon / Ceramic (Std) Silicon Carbide (Opt)
ELASTOMERS:.....	Buna N (Std)
HYDRAULIC OIL:.....	214-320 s.s.u. @ 100°F (64°C)
INPUT FLOW:.....	Max. 28 GPM (106 LPM)
OPERATING PRESSURE:..	Max 2900 PSI (197 Bar)
POWER SOURCE:..	Any Open Center Hydraulic System

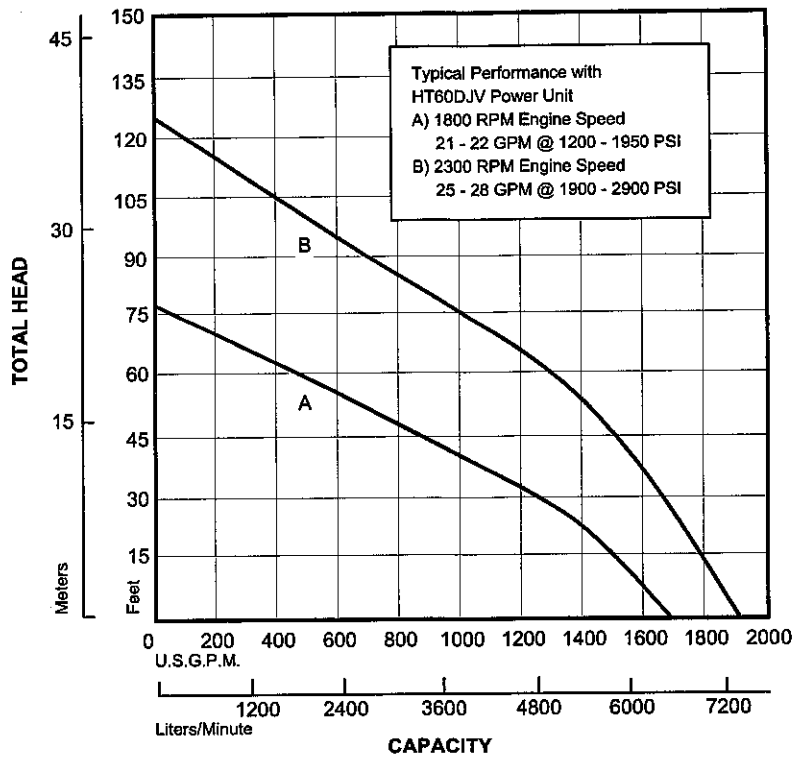
Specifications subject to change without notice.

A0601

Model S6TC Overall Dimensions



S6TC Typical Performance



Curves are based on pumping water at 60° F. For Performance Curves other than shown above, Consult Factory.



P.O. Box 537, Mt. Holly, NJ 08060, USA
 Website: www.hydra-tech.com

Phone: 609-267-5393 Fax: 609-261-8070
 E-Mail: htpump@hydra-tech.com