

ACE



# Solids Handling Vortex Submersible Pump

Hydraulic Driven  
Model HSV6B31-HYD  
Size 6"

**PUMP SPECIFICATIONS**

**Casing:** Ductile Iron No. 65-45-12.  
**Vortex Impeller:** Ductile Iron. Handles 5" (127 mm) Diameter Spherical Solids.  
**Wear Plate:** Steel ASTM A569.  
**Wear Ring:** Steel ASTM A36.  
**Bearing Housing:** Ductile Iron No. 65-45-12.  
**Hydraulic Motor Housing:** Ductile Iron No. 65-45-12.  
**Shaft:** Stainless Steel No. 17-4 PH.  
**Upper Bearing:** Single Ball Type.  
**Lower Bearing:** Single Ball Type.  
**Bearing Lubrication:** Oil.  
**Discharge Flange:** Ductile Iron.  
**O-Rings:** Buna-N.  
**Hardware:** Stainless Steel No. 18-8.

**Standard Equipment:** Strainer/Pump Mounting Stand. Hoisting Bail. Hydraulic Motor Input & Output Hose; 1 Ft. (305 mm) Long, with 1" NPT Quick Disconnect Fittings.

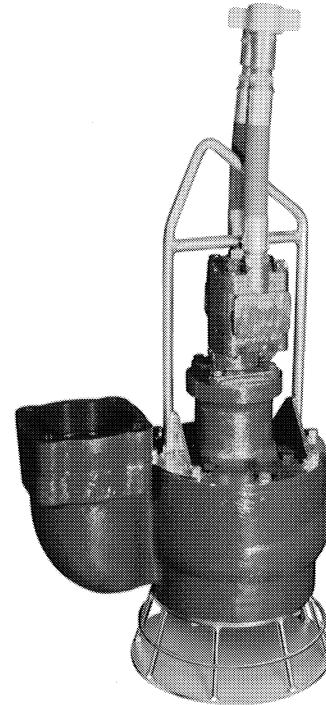
**Optional Equipment:** 1" (25,4 mm) Hydraulic Hose with Quick Disconnect Fittings.\*

\*Hydraulic Hose Available in 50 Ft. (15 m) Increments; Maximum Recommended Length 150 Ft. (45 m). Specify Length at Time of Order.

Maximum Temperature of Liquid Pumped: 170°F (77°C). (Hydraulic Oil to Motor Should be Cooled).

**MOTOR SPECIFICATIONS**

**Motor:** Variable Speed Gear.  
**Hose Ports:** 1" SAE (O-Ring Port).  
**Operating Pressure:** Maximum 2900 psi (204 kg/cm<sup>2</sup>).  
**Hydraulic Oil:** 214-320 SSU @ 100°F (64°C).  
**Input Flow:** Variable, 15-30 GPM (53-106 lpm).  
**Recommended Power Source:** HSP-F4L or Any Open Center Hydraulic System with Flows of 15-30 GPM and Maximum Pressure of 2900 psi (204 kg/cm<sup>2</sup>).

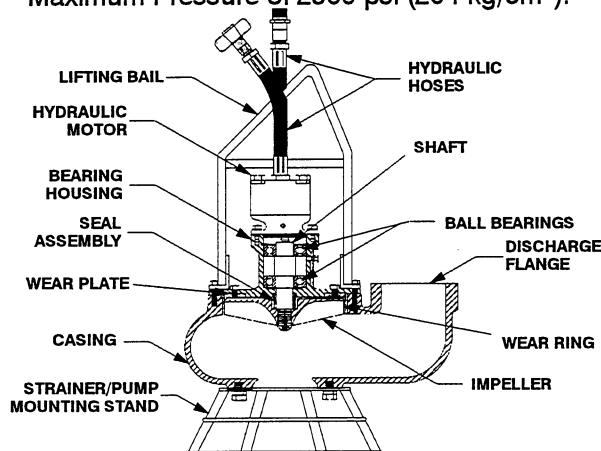
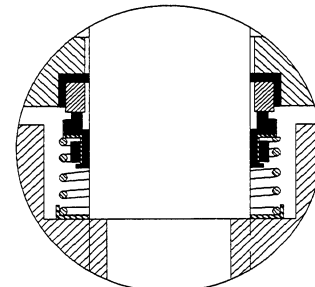


Do not use in explosive atmosphere or for pumping volatile flammable liquids.

**SEAL SPECIFICATIONS**

Mechanical, Oil-Lubricated. Carbon Rotating Face. Ceramic Stationary Face. Buna-N Elastomers. Stainless Steel No. 304 Cage and Spring.

**SEAL DETAIL**



THE GORMAN-RUPP COMPANY • MANSFIELD, OHIO

GORMAN-RUPP OF CANADA LIMITED • ST. THOMAS, ONTARIO, CANADA

Specifications Subject to Change Without Notice

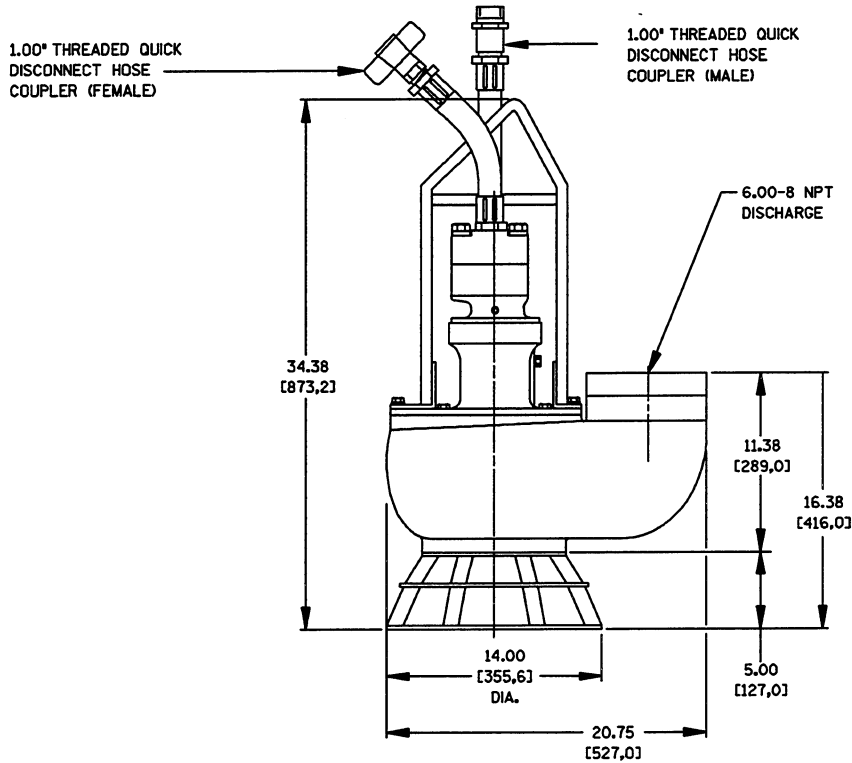
Printed in U.S.A.

**Specification Data**

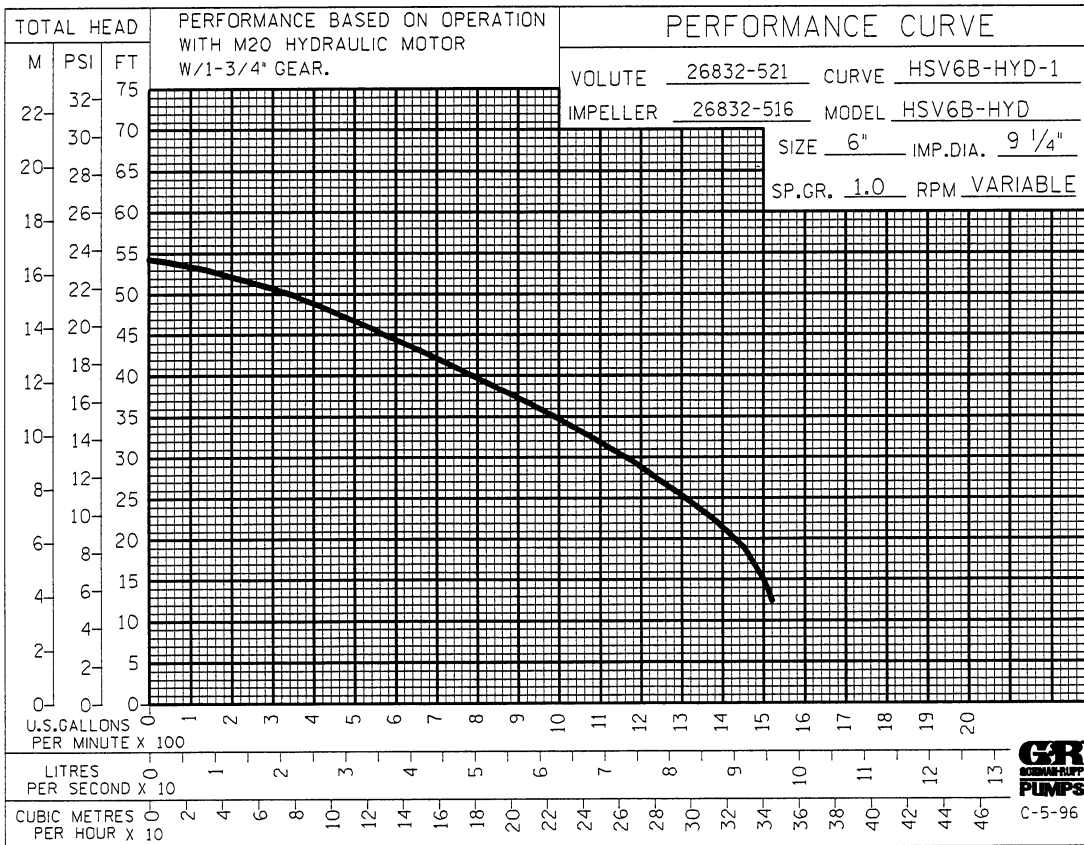
SECTION 140, PAGE 1050

APPROXIMATE  
DIMENSIONS and WEIGHTS

NET WEIGHT: 255 LBS. (116 KG.)  
SHIPPING WEIGHT: 386 LBS. (175 KG.)  
EXPORT CRATE: 14.4 CU. FT. (0,41 CU. M.)



DIMENSIONS:  
INCHES  
[MILLIMETERS]



THE GORMAN-RUPP COMPANY • MANSFIELD, OHIO  
GORMAN-RUPP OF CANADA LIMITED • ST. THOMAS, ONTARIO, CANADA

Specifications Subject to Change Without Notice

Printed in U.S.A.