

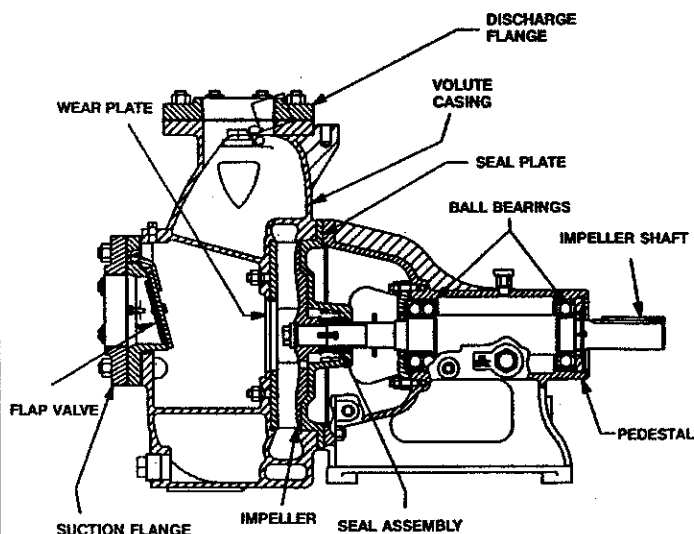
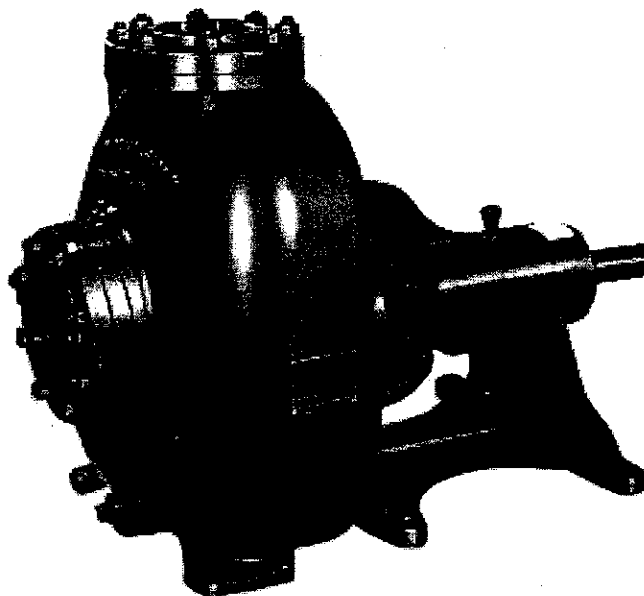
ABCDE

Self Priming Centrifugal Pump

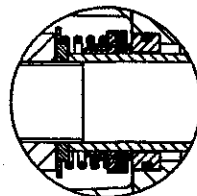
Basic Pedestal**Model 84A3-B****Size 4" x 4"**

20hp, 1750rpm, 460v, 3p, TEFC

Full load amps: 20

PUMP SPECIFICATIONS**Size:** 4" x 4" NPT (102 mm x 102 mm) - Female.**Casing:** Gray Iron No. 30. Maximum Operating Pressure 82 psi (5,8 kg/cm²).***Open Type, Three Vane Impeller:** Gray Iron No. 30. Handles 1 1/8" (28,6 mm) Diameter Spherical Solids.**Impeller Shaft:** Alloy Steel No. 4140.**Replaceable Wear Plate:** Steel No. 1026.**Pedestal:** Gray Iron No. 30.**Seal Plate:** Gray Iron No. 30.**Shaft Sleeve:** Alloy Steel No. 4130.**Flap Valve:** Steel; Buna-N.**Radial Bearing:** Open Single Ball.**Thrust Bearing:** Open Double Ball.**Bearing Lubrication:** Oil.**Flanges:** Gray Iron No. 30.**Gaskets:** Cork.**Hardware:** Standard Plated Steel.**Oil Level Sight Gauge.****Optional Equipment:** Consult Factory.

84A3-B SEAL DETAIL Type 21, Mechanical, Self-Lubricated. Carbon Rotating Face, Ni-Resist Stationary Face. Fluorocarbon Elastomers (DuPont Viton® or Equivalent). Stainless Steel Cage and Spring. Maximum Temperature of Liquid Pumped, 160°F (71°C).*



*Consult Factory for Applications Exceeding Maximum Pressure and/or Temperature Indicated.

GR
GORMAN-RUPP
PUMPS

THE GORMAN-RUPP COMPANY • MANSFIELD, OHIO

GORMAN-RUPP OF CANADA LIMITED • ST. THOMAS, ONTARIO, CANADA

Specifications Subject to Change Without Notice

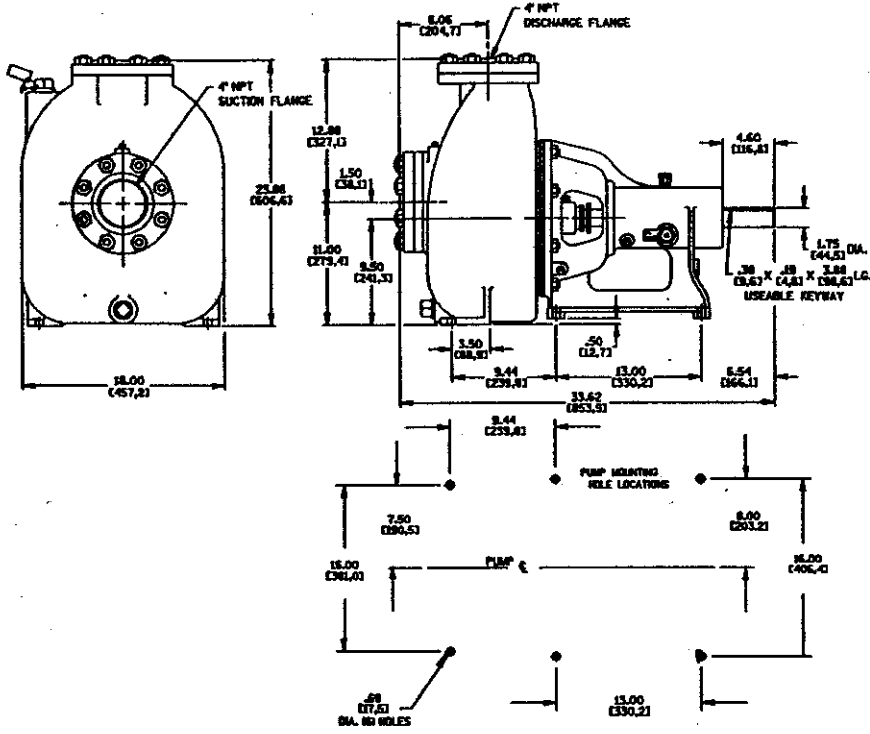
Printed in U.S.A.

Specification Data

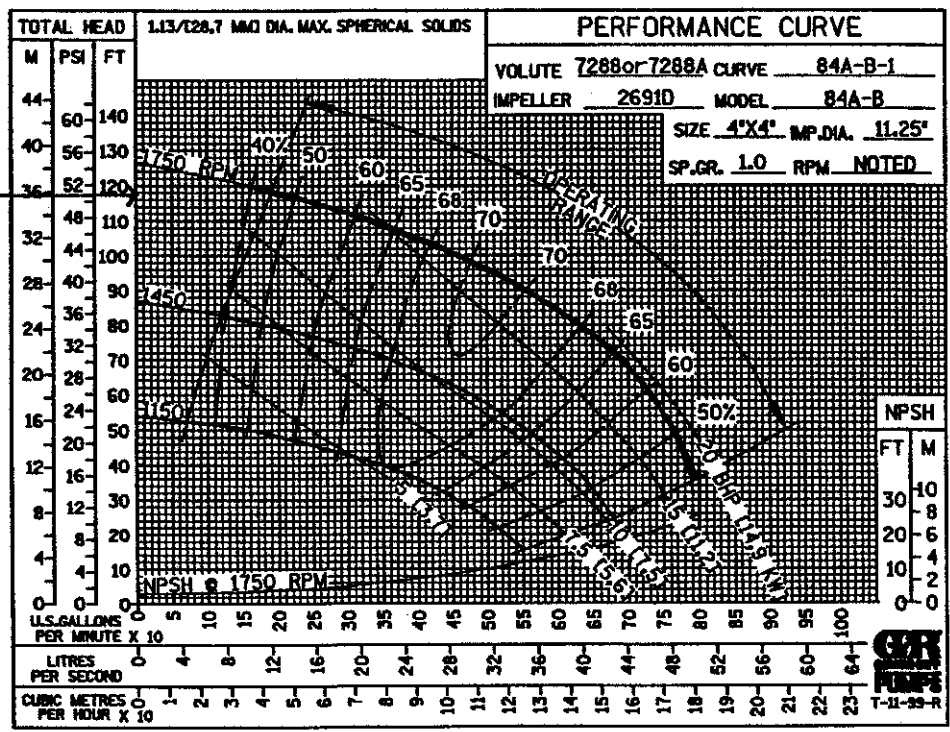
SECTION 50, PAGE 1801

APPROXIMATE DIMENSIONS and WEIGHTS

NET WEIGHT: 429 LBS. (195 KGS.)
 SHIPPING WEIGHT: 444 LBS. (201 KGS.)
 EXPORT CRATE: 19.7 CU. FT. (0.56 CU. M.)



DIMENSIONS: INCHES / MILLIMETERS



THE GORMAN-RUPP COMPANY • MANSFIELD, OHIO

GORMAN-RUPP OF CANADA LIMITED • ST. THOMAS, ONTARIO, CANADA

Specifications Subject to Change Without Notice

Printed in U.S.A.