



REDI-PRIME® SPECIFICATIONS 2.5H-EM16-RP

2.5H-EM16-RP-F3L912D

(2.5H-RP-EM16-3sae)

(10" flywheel)

PUMP SPECIFICATIONS

Size: 2.5H: 3" discharge x 4" suction with 150# cast iron flanges.

Casing: cast Iron. Max. casing pressure - 175#

Impeller: Enclosed - 7 vane. handles .41" diameter solids.

Replaceable wear rings: Yes (Double wear rings available)

Seal: Cornell's patented Cycloseal® design with Run-Dry.

John Crane T-2 single mechanical seal with Viton elastomers, Stainless steel hardware and tungsten carbide vs. silicon carbide seal faces for abrasion resistance.

Check valve: SwingFlex® Val-Matic®

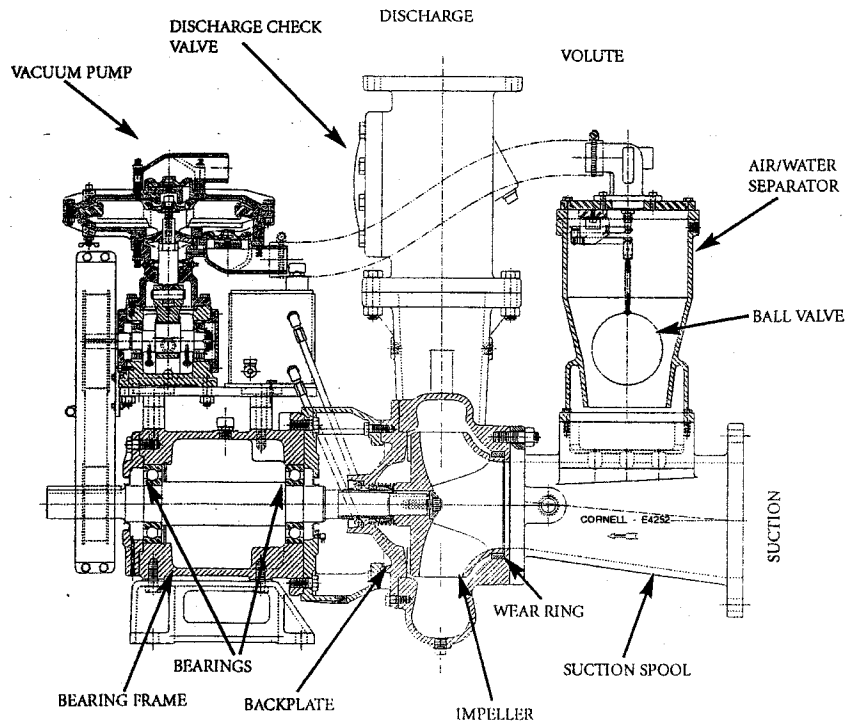
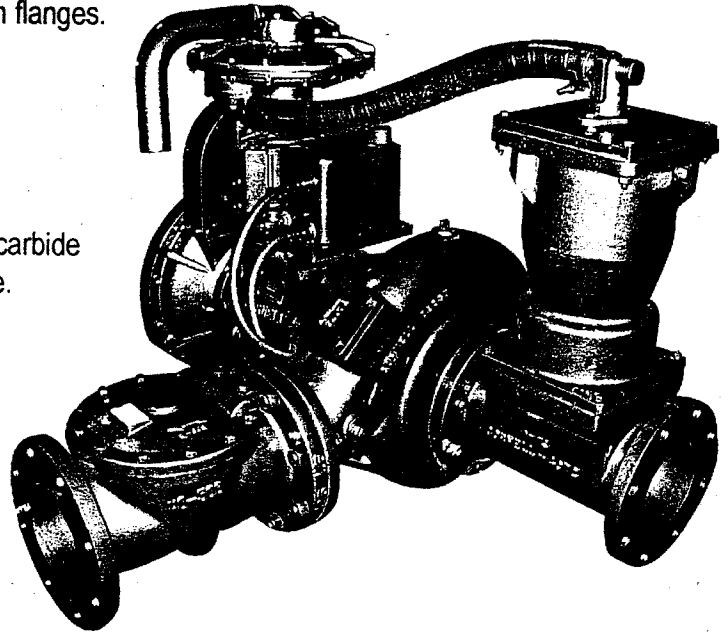
Shaft Sleeve: Heat treated 416 Stainless steel

Bearings: Heavy duty deep groove ball bearings, grease lubricated with minimum 50,000 hours bearing life.

Hardware: Stainless Steel Float Linkage

Positive seating vacuum priming valve allows no water carry-over to vacuum pump or atmosphere.

Vacuum Pump: 50 SCFM Maximum.



F16 Frame Mount shown

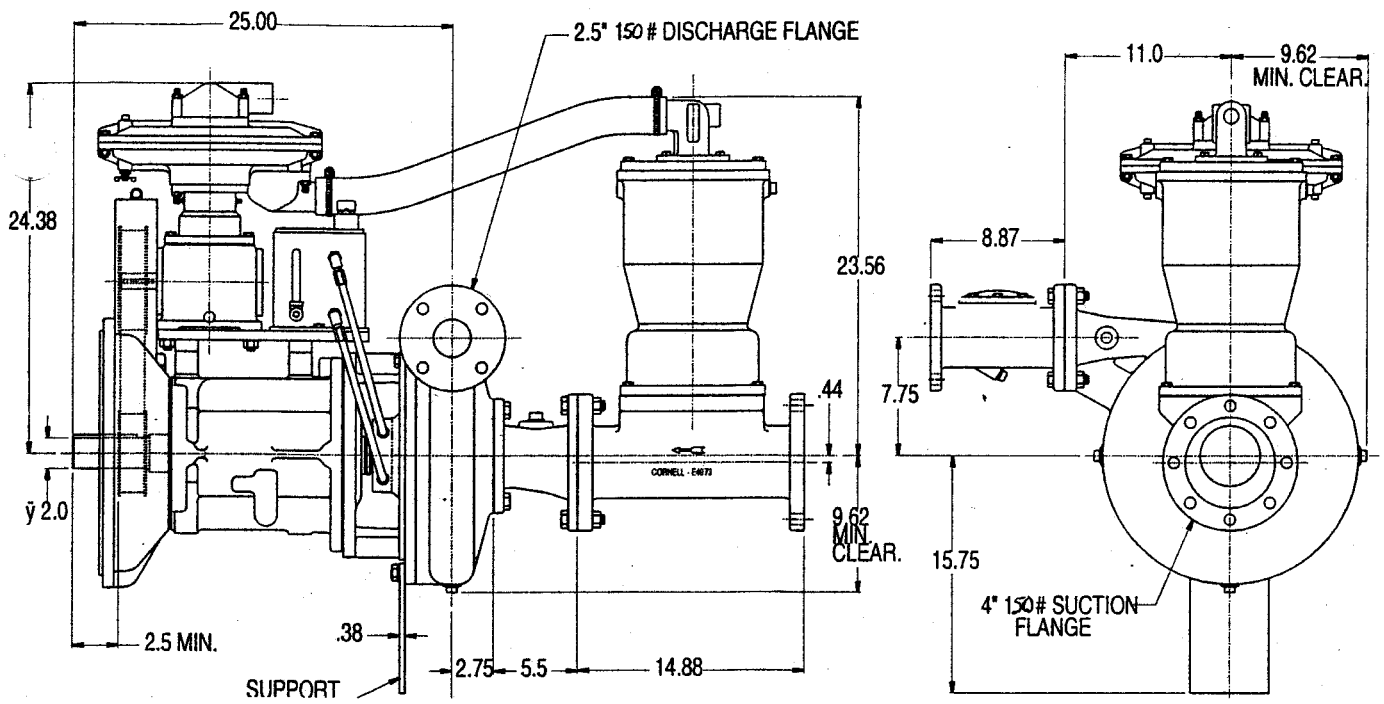


CORNELL PUMP COMPANY

P.O. BOX 6334, PORTLAND, OR 97228

TEL: (503) 653-0330 • FAX: (503) 653-0338

www.cornellpump.com



NOTE

1. OVERALL DIMENSION MAY VARY $\pm .125$
2. REF. BMK439A-C00

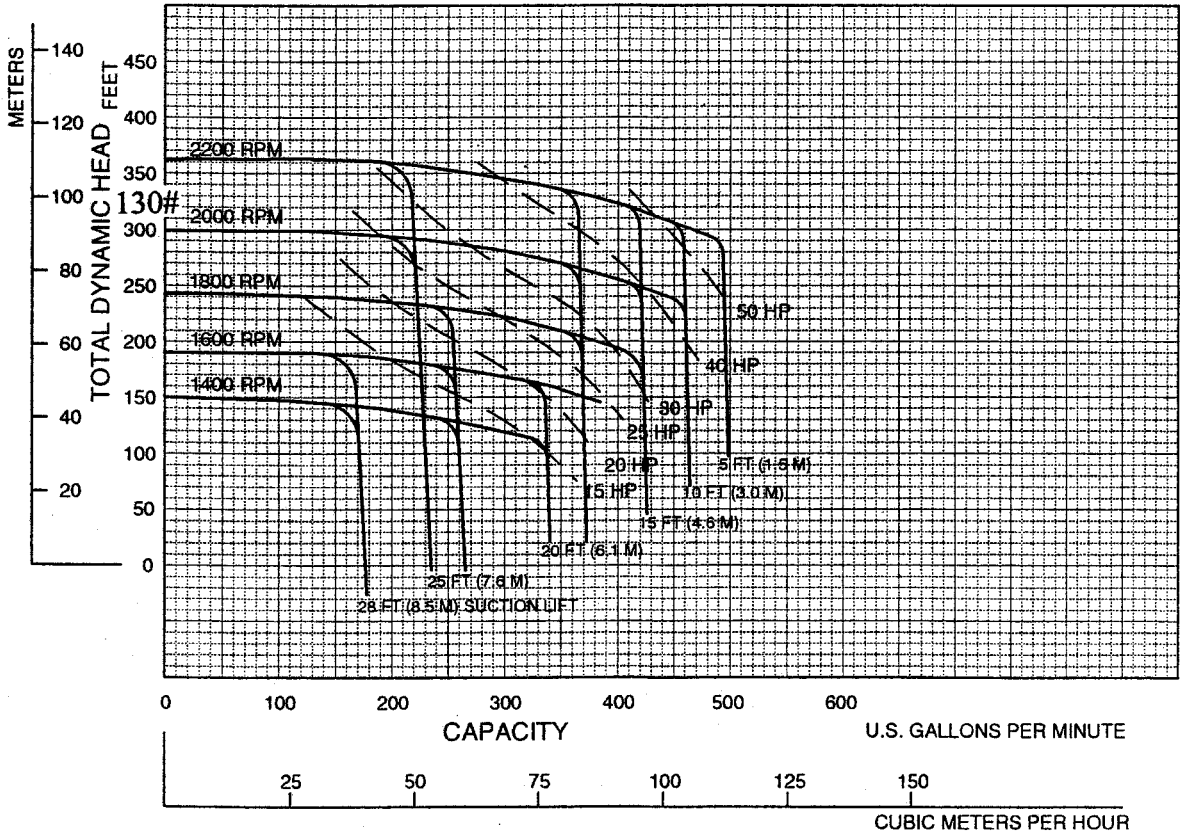
Max. rpm - 2000

Feet x .305 = Meters
 Inches x 25.4 = Millimeters
 GPM x .227 = Cubic Meters/Hour
 GPM x 3.785 = Liters/Minute
 HP x .746 = KW

Speed	Impeller Dia.	Style	Solids Dia.	N_s	Suction	Discharge	No. vanes
VARIOUS	14.00"	ENCLOSED	.41"	585	4"	3"	7

SINGLE VOLUTE

MOUNTING CONFIG.: F, EM



Add 1.5 HP for belt driven diaphragm vacuum pump. Performance curve does not include discharge check valve losses.

Peak values shown are for cool water. Lead configuration with Cyclosoed® is or mounting configurations may require performance adjustments.

040400



Cornell Pump Company • Portland, Oregon

2.5H REDI • PRIME® - VARIOUS RPM