

ACDE

Self Priming Centrifugal Pump

Diesel Engine Driven

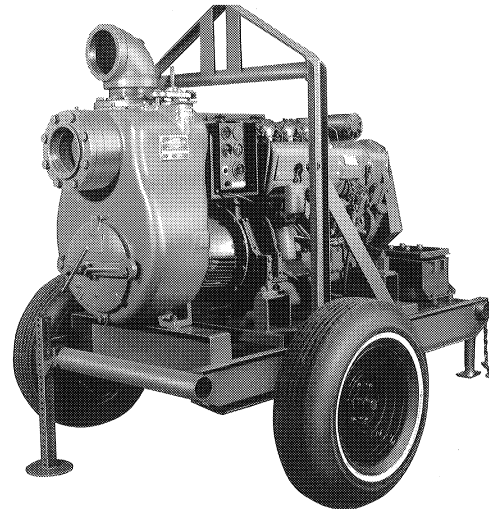
Model 16C2-F4L

Size 6" x 6"



70 MT

Total Head		CAPACITY OF PUMP IN U.S. GALLONS PER MINUTE AT CONTINUOUS PERFORMANCE				
P.S.I.	Feet					
57	133	400	400	400	400	400
54	125	555	610	610	610	610
44	100	660	930	1100	1140	1140
33	75	680	955	1195	1400	1460
22	50	695	960	1200	1450	1555
11	25	700	960	1200	1465	1580
Suction lift		25'	20'	15'	10'	5'



PUMP SPECIFICATIONS

Size: 6" [152,4 mm] x 6" [152,4 mm] N.P.T.-Female
 Casing: Gray Iron No. 30
 (Maximum Operating Pressure 130 psi. [892 kPa])
 Impeller: Open Type, Two Vanes, Ductile Iron No. 60-40-18
 (Handles 3" [76.2 mm] Dia. Spherical Solids)
 Impeller Shaft: Alloy Steel No. 17-4 PH
 Wear Plate; Replaceable: Steel No. 1018
 Cover Plate; Removeable: Gray Iron No. 30 (47 lbs. [21.3 KG.])
 Intermediate Bracket: Gray Iron No. 30
 Seal Plate: Gray Iron No. 30
 Seal: Double Grease-Lubricated with Spring Loaded Grease Cup. Sintered Bronze Stationary Seal Seats. Rotating Faces Are Steel. Maximum Temperature of Liquid Pumped, 110°F. [43°C.]
 Maximum Suction Pressure 10 Pounds Per Square Inch [69 kPa].
 Seal Liner: Bronze No. C83600
 Flap Valve: Neoprene with Steel Reinforcing
 Radial Bearing: Open Ball
 Thrust Bearing: Open Double Ball
 Bearing Lubrication: Oil
 Flanges: Gray Iron No. 30
 Gaskets: Resistant Synthetic Rubber & Cork; Vegetable Fiber; Compressed Synthetic Fibers; Teflon
 Hardware: Standard Plated Steel

Standard Equipment:
 Hoisting Bail
 Skid Base
 90° Discharge Elbow
 Strainer
 Oil Level Sight Gauge

Optional Equipment:
 2 Wheel Truck Assy with Pneumatic Tires P235/75R15
 Battery
 Over the Road Trailer (Meets D.O.T Requirements)

ENGINE SPECIFICATIONS:

Model: Deutz F4L912
 Type: Four Cylinder, Four Cycle, Air Cooled Diesel Engine
 Displacement: 230.1 Cu. In. [3.8 L]
 Governor: Mechanical
 Lubrication: Forced Circulation
 Air Cleaner: Oil Bath
 Oil Reservoir: 11.6 U.S. Qts [11.0 L] Dry
 10 U.S.Qts [9.5 L] Refill
 Fuel Tank: 38.9 U.S. Gallons [147.2 L]
 Operating Time; Full Load: 15.7 Hours
 Starter: 12 Volt Electric

Standard Features:

- Safety Shut Down Switches for Low Oil Pressure and V-Belt Failure
- Instrument Panel with Temp. Gauge, Oil pressure Gauge, Ammeter, Hourmeter, Tachometer & Alternator Failure Light
- Muffler with Guard and Weather Cap

DEUTZ PUBLISHED PERFORMANCE:

Max. Cont. B.H.P. 63 @ 2300 RPM
 Max. Dyn. B.H.P. 80 @ 2800 RPM

WARNING
 DO NOT USE IN EXPLOSIVE
 ATMOSPHERE OR FOR PUMPING
 VOLATILE FLAMMABLE LIQUIDS



THE GORMAN-RUPP COMPANY • MANSFIELD, OHIO

GORMAN-RUPP OF CANADA LIMITED • ST. THOMAS, ONTARIO, CANADA

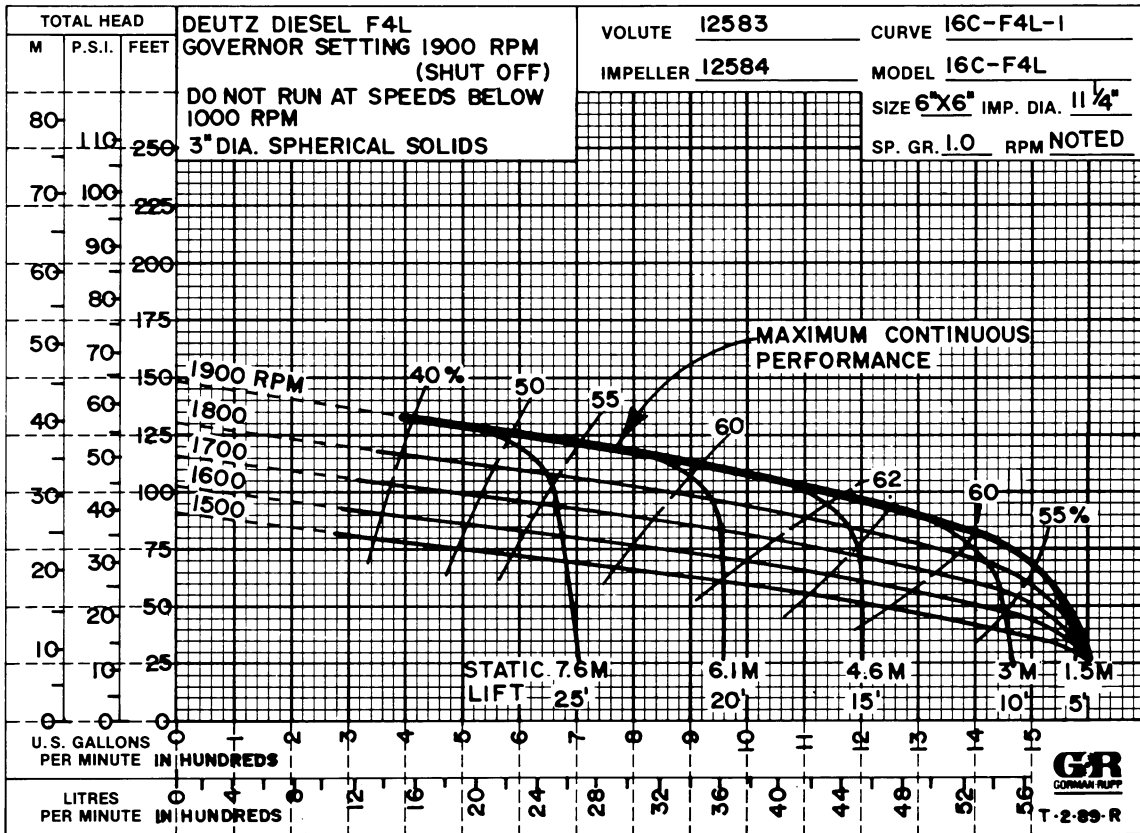
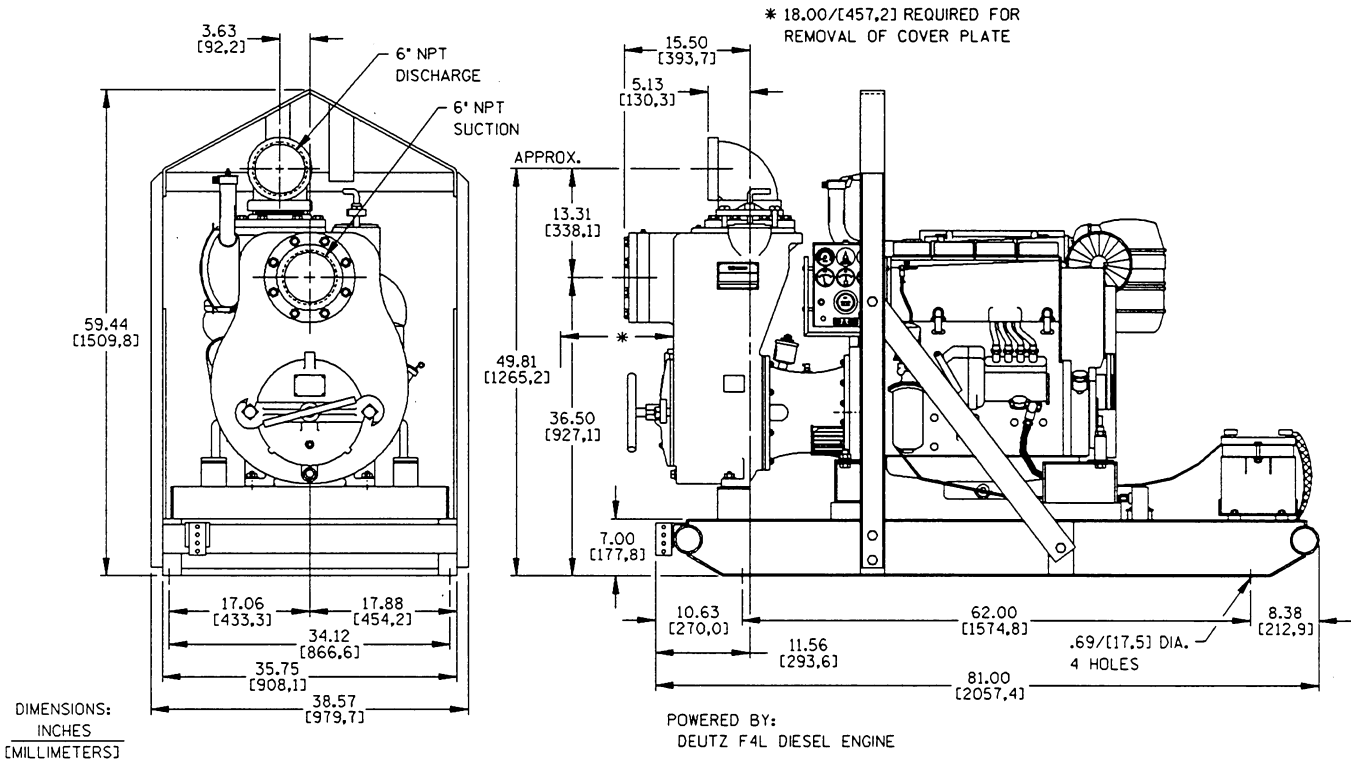
Printed in U.S.A.

Specification Data

SECTION 45, PAGE 1500

OVERALL DIMENSIONS
and
WEIGHTS APPROXIMATE

SKID BASE **2-WHEEL**
NET WEIGHT: 2280 LBS. [1034 KG.] 2480 LBS. [1125 KG.]
SHIPPING WEIGHTS: 2364 LBS. [1134 KG.] 2480 LBS. [1125 KG.]
EXPORT CRATE: 113 CU. FT. [3.2 CU. M.] 131 CU. FT. [3.7 CU. M.]



THE GORMAN-RUPP COMPANY • MANSFIELD, OHIO

GORMAN-RUPP OF CANADA LIMITED • ST. THOMAS, ONTARIO, CANADA

Printed in U.S.A.