

AC DE

Self Priming Centrifugal Pump

Electric Motor Driven



Model

11 1/2A3-E2 1P

Size 1 1/2" x 1 1/2"

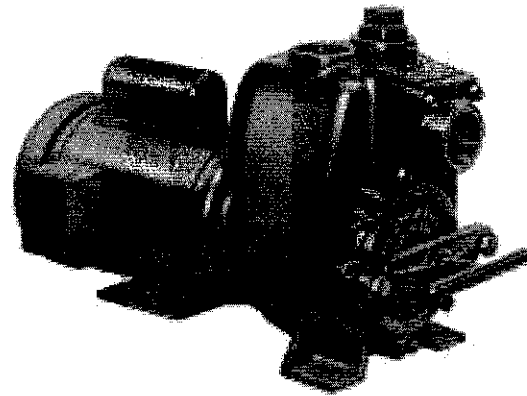
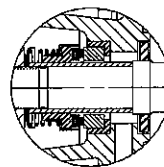
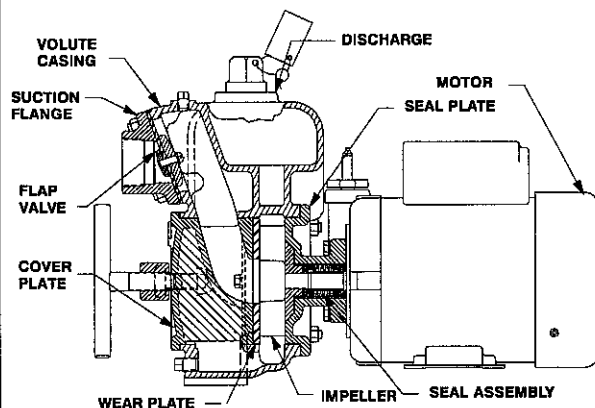
PUMP SPECIFICATIONS

Size: 1 1/2" x 1 1/2" NPT (38 mm x 38 mm) - Female.**Casing:** Gray Iron No. 30. Maximum Operating Pressure 48 psi (3,4 kg/cm²).***Open Type, Two Vane Impeller:** Gray Iron No. 30. Handles 1" (25,4 mm) Diameter Spherical Solids.**Replaceable Wear Plate:** Steel No. 1018.**Removable Cover Plate:** Gray Iron No. 30; 5.4 lbs. (3 kg).**Intermediate:** Gray Iron No. 30.**Flap Valve:** Buna-N; Gray Iron No. 30.**Shaft Sleeve:** 11 1/2A3-E2

Stainless Steel No. 304.

Flange: Gray Iron No. 30.**Gaskets:** Resistant Synthetic Rubber, Cork, and Vegetable Fiber.**Hardware:** Standard Plated Steel.**Strainer.**

MOTOR SPECIFICATIONS

Type: Totally Enclosed; Fan Cooled.**Horsepower:** Two.**Frame Size:** 56.**RPM:** 3450.**Voltage:** *Single Phase* - 115V/230V; 60 Hz Capacitor Start; Thermal-Overload Protection; 23/11.5 Approximate Full Load Amperes.**Optional Equipment:** Consult Factory.

11 1/2A3-E2 1P/3P SEAL DETAIL

Type 21, Mechanical, Self Lubricated. Rotating Face is Carbon. Ni-Resist Stationary Face. Elastomers are Buna-N. Stainless Steel No. 18-8 Cage and Spring. Maximum Temperature of Liquid Pumped, 160°F (71°C).*

*Consult Factory for Applications Exceeding Maximum Pressure and/or Temperature Indicated.



THE GORMAN-RUPP COMPANY • MANSFIELD, OHIO

GORMAN-RUPP OF CANADA LIMITED • ST. THOMAS, ONTARIO, CANADA

Specifications Subject to Change Without Notice

Printed in U.S.A.

